

**Agenda**  
**Bayshore Gardens Park & Recreation District**  
**Board of Trustee Work Session**  
**October 7, 2020 @ 7:00 P.M.**

1. Roll Call
2. Call to Order
3. Pledge to flag
4. Committee Status
  - Acoustic Panels
  - Hall Blinds

**Discussions:**

5. Hall: Chairs
6. Marina: Boat Lifts and Boat Ramp
7. Hall Use for County
8. Small Boat Area
9. Screen Room Locking
10. Committee Assignments and Planning
11. Sprinkler Park
12. Additional Items as Needed

(Resident comments agenda item 3 minutes)

13. Adjournment

Pursuant to Section 286.26, Florida Statutes, and the Americans with Disabilities Act, any handicapped person desiring to attend this meeting should contact the District Manager at least 48 hours in advance of meeting to ensure that adequate accommodations are provided for access to the meeting.

Pursuant to Section 286.0105, Florida Statutes, should any person wish to appeal a decision of the Board with respect to any matter considered at this meeting, he or she will need to ensure that a verbatim record of the proceedings is made, including the testimony and evidence upon which the appeal is based.

BAYSHORE GARDENS PARK AND RECREATION DISTRICT  
AGENDA FORM FOR TRUSTEES

1002F

Completed form due in the office by 4:00 p.m. eight (8) days prior to meeting date.

This form can be utilized to bring a motion and/or discussion topic to the board.

Motion Defined: A motion is a request, or proposal, for the board to take action on an issue.

Agenda Item: HALL Meeting Date: 10-7-20

Type of Meeting: \_\_\_\_\_ Workshop X Board Meeting \_\_\_\_\_

Motion: \_\_\_\_\_ Discussion: X (check one)

Rationale for Request: HALL CHAIRS  
\_\_\_\_\_  
\_\_\_\_\_  
\_\_\_\_\_  
\_\_\_\_\_  
\_\_\_\_\_

Estimated Costs to District (if applicable)  
\_\_\_\_\_  
\_\_\_\_\_

Attachments/Supporting documents: None: \_\_\_\_\_  
\_\_\_\_\_  
\_\_\_\_\_

Board Trustee: Morris Raymer Date: 9-22-20

Print Name: MORRIS RAYMER

Received by: [Signature] Date: 9/22/2020



HERCULES Series 1000 lb. Capacity White Resin Folding Chair with White Vinyl Padded Seat

★★★★★ 4.9 (89) Write a review Ask a question

Item # LE-L-1-WHITE-GG

In Stock. Usually ships in 24 hours

[Shop all Flash Furniture Products](#)

~~\$65.99~~

**\$24.99**

Quantity

Color



**MINIMUM REQUIRED QUANTITY FOR THIS ITEM IS 2**

ADD TO CART

About Product

The White Resin Folding Chair combines comfort and elegance that looks good at all your special events, whether it's a backyard barbeque, a formal banquet or beach wedding. This chair is made from ultra-strong resin that's very lightweight, yet extremely strong and can hold up to 1000 pounds making this portable folding chair perfect for any social event, your home office or remote learning space. The smooth frame is double braced for added stability and the front brace can be used as a footrest. The color of the frame is the same all the way through, so you don't have to worry about nicks and scratches. No re-painting or staining is ever needed; your chairs will look great for years to come. The chair comes with a detachable, washable, waterproof seat cushion filled with fire retardant foam. The easy to clean, durable design of these chairs makes them the ideal choice for indoor and outdoor use. The chairs are portable and fold compactly to transport and store.

Product Features

- Resin Folding Chair for Indoor or Outdoor Events
- Lightweight for storage and portability
- No repainting necessary, color is same throughout
- Designed for Commercial Use
- White folding chair for extra seating, rental companies, banquet halls and patio seating
- 1000 lb. Weight Capacity
- UV Stabilized Polypropylene Resin
- Removable Waterproof Vinyl Seat with CAL 117 Fire Retardant Foam
- Folded Size: 17.5"W x 2.25"D x 35"H

## Product Specs

|                             |                 |                          |  |
|-----------------------------|-----------------|--------------------------|--|
| Width                       | 17.5"           | Depth                    | 18"  |
| Height                      | 30.75"          | Seat Width               | 15.5"  |
| Seat Depth                  | 13.75"          | Seat Height              | 18.5"  |
| Seat Thickness              | .5"             | Back Width               | 17.5"  |
| Back Height From Seat       | 15"             | Weight Capacity          | 1000 lbs                                     |
| Color                       | White           | Material                 | Foam, Vinyl, Resin                           |
| Seat Material               | Vinyl           | Finish                   | White Resin                                  |
| Back Type                   | Mid             | Style                    | Contemporary                                 |
| Back Style                  | Open            | Base Style               | 4 Leg  |
| Folding                     | Yes             | Padding                  | Yes  |
| Suitable For Commercial Use | Yes             | Suitable for Outdoor Use | Yes  |
| ANSI / BIFMA                | Yes             | CAL 117 Certified        | Yes  |
| Returnable                  | Yes             | Disclaimer               | <b>Must Meet Minimum Order Quantity of 2</b> |
| Brand                       | Flash Furniture | Manufacturer Part Number | LE-L-1-WHITE-GG                              |



### Chair in Black Fabric - Silver Frame

★★★★★ 4.7 (204) Write a review Ask a question

Item # FD-C01-S-11-GG

In Stock. Usually ships in 24 hours

[Shop all Flash Furniture Products](#)

~~\$85.00~~

**\$25.99**

#### SPECIAL OFFER

- Get a Free Chair Truck! [Details](#)
- Get a Free Chair Dolly! [Details](#)

Quantity: - 1 +

#### Color



[View More \(12\)](#)

**ADD TO CART**

[Send To A Friend](#)

## About Product

Make an impressive presentation in your banquet hall when clients come to visit your facility with these ballroom chairs. Built for the commercial industry these popular crown back banquet chairs have been tested to hold up to 500 pounds. With a high seating capacity these stack chairs are perfect for the event rental business.

This standout hospitality chair can be used as is and still command attention or be dressed up for formal events by placing a chair cover over it. The chair is cushioned with 2.5" thick CAL 117 fire retardant foam and is covered in durable upholstery for high usage. The sturdy frame with gracefully angled legs are made of 16 gauge steel in a lasting powder coated finish. Double support braces reinforce the frame to give it great strength and durability. Bumper guards prevent scratches on the frame when stacked (up to 15 high) and non-marring floor glides protect your floor by sliding smoothly when you need to move the chair.

This multi-use stacking upholstered stack chair is an excellent option for churches, banquet halls, training rooms, hotels, convention centers and schools. Add banquet chairs to your home dining table to add a contrasting look to your dining room or kitchen.

## Product Features

- Multipurpose Crown Back Banquet Chair for All Occasions
- Stack Quantity: 15
- 2.5" Thick Seat Cushion with CAL 117 Fire Retardant Foam
- Floor Protector Plastic Glides
- Designed for Commercial Use; Suitable for Home Use
- 500 lb. Weight Capacity
- Black Fabric Upholstery with Seamless Back Panel
- 16 Gauge Steel Frame with bumper guards to protect finish while stacked
- Limited Lifetime Warranty on Frame
- Fully assembled stack chair for rental furniture, occasional seating or home use

## Product Specs

|                                |                              |                                    |                |
|--------------------------------|------------------------------|------------------------------------|----------------|
| <b>Width</b>                   | 17.25"                       | <b>Depth</b>                       | 20.25"         |
| <b>Height</b>                  | 38"                          | <b>Seat Width</b>                  | 15.5"          |
| <b>Seat Depth</b>              | 16"                          | <b>Seat Height</b>                 | 18.25"         |
| <b>Seat Thickness</b>          | 2.5"                         | <b>Back Width</b>                  | 15.5"          |
| <b>Back Height From Seat</b>   | 19"                          | <b>Weight Capacity</b>             | 500 lbs        |
| <b>Stack Quantity</b>          | 15 Count                     | <b>Color</b>                       | Black, Silver  |
| <b>Material</b>                | Foam, Metal, Fabric, Plastic | <b>Seat Material</b>               | Fabric         |
|                                |                              | <b>Back Material</b>               | Fabric         |
| <b>Frame Material</b>          | Metal                        | <b>Finish</b>                      | Silver Metal   |
| <b>Back Type</b>               | Full                         | <b>Style</b>                       | Contemporary   |
| <b>Back Style</b>              | Crown                        | <b>Base Style</b>                  | 4 Leg          |
| <b>Padding</b>                 | Yes                          | <b>Suitable For Commercial Use</b> | Yes            |
| <b>ANSI / BIFMA</b>            | Yes                          | <b>CAL 117 Certified</b>           | Yes            |
| <b>Lifetime Frame Warranty</b> | Yes                          | <b>Returnable</b>                  | Yes            |
| <b>Brand</b>                   | Flash Furniture              | <b>Manufacturer Part Number</b>    | FD-C01-S-11-GG |



STACK CHAIRS 4 LESS



- Shop ▾
- All Stack Chairs
- Banquet Chairs ▾
- Church Chairs ▾
- Plastic Stack Chairs
- Metal Stack Chairs
- Chiavari Chairs ▾
- School Stack Chairs ▾
- Stack Stools ▾
- Outlet ▾

Best Selling Stack Chairs of 2017 HERCULES Series Crown Back Stacking Banquet Chair in Gray Dot Fabric - Silver Frame



Hover to zoom

### HERCULES Series Crown Back Stacking Banquet Chair in Gray Dot Fabric - Silver Frame

★★★★★ 4.7 (204) Write a review Ask a question

Item # FD-C01-5-6-GG

In Stock. Usually ships in 24 hours

[Shop all Flash Furniture Products](#)

\$85.00

\$25.99

#### SPECIAL OFFER

- Get a Free Chair Truck! [Details](#)
- Get a Free Chair Dolly! [Details](#)

Quantity: - 1 +

#### Color



## About Product

Make an impressive presentation in your banquet hall when clients come to visit your facility with these ballroom chairs. Built for the commercial industry these popular crown back banquet chairs have been tested to hold up to 500 pounds. With a high seating capacity these stack chairs are perfect for the event rental business.

This standout hospitality chair can be used as is and still command attention or be dressed up for formal events by placing a chair cover over it. The chair is cushioned with 2.5" thick CAL 117 fire retardant foam and is covered in durable upholstery for high usage. The sturdy frame with gracefully angled legs are made of 16 gauge steel in a lasting powder coated finish. Double support braces reinforce the frame to give it great strength and durability. Bumper guards prevent scratches on the frame when stacked (up to 15 high) and non-marring floor glides protect your floor by sliding smoothly when you need to move the chair.

This multi-use stacking upholstered stack chair is an excellent option for churches, banquet halls, training rooms, hotels, convention centers and schools. Add banquet chairs to your home dining table to add a contrasting look to your dining room or kitchen.

## Product Features

- Multipurpose Crown Back Banquet Chair for All Occasions
- Stack Quantity: 15
- 2.5" Thick Seat Cushion with CAL 117 Fire Retardant Foam
- Floor Protector Plastic Glides
- Designed for Commercial Use, Suitable for Home Use
- 500 lb. Weight Capacity
- Gray Dot Fabric Upholstery with Seamless Back Panel
- 16 Gauge Steel Frame with bumper guards to protect finish while stacked
- Limited Lifetime Warranty on Frame
- Fully assembled stack chair for rental furniture, occasional seating or home use

## Product Specs

|                                |                              |                                    |               |
|--------------------------------|------------------------------|------------------------------------|---------------|
| <b>Width</b>                   | 17.25"                       | <b>Depth</b>                       | 20.25"        |
| <b>Height</b>                  | 38"                          | <b>Seat Width</b>                  | 15.5"         |
| <b>Seat Depth</b>              | 16"                          | <b>Seat Height</b>                 | 18.25"        |
| <b>Seat Thickness</b>          | 2.5"                         | <b>Back Width</b>                  | 15.5"         |
| <b>Back Height From Seat</b>   | 19"                          | <b>Weight Capacity</b>             | 500 lbs       |
| <b>Stack Quantity</b>          | 15 Count                     | <b>Color</b>                       | Silver, Gray  |
| <b>Material</b>                | Foam, Metal, Fabric, Plastic | <b>Seat Material</b>               | Fabric        |
|                                |                              | <b>Back Material</b>               | Fabric        |
| <b>Frame Material</b>          | Metal                        | <b>Finish</b>                      | Silver Metal  |
| <b>Back Type</b>               | Full                         | <b>Style</b>                       | Contemporary  |
| <b>Back Style</b>              | Crown                        | <b>Base Style</b>                  | 4 Leg         |
| <b>Padding</b>                 | Yes                          | <b>Suitable For Commercial Use</b> | Yes           |
| <b>ANSI / BIFMA</b>            | Yes                          | <b>CAL 117 Certified</b>           | Yes           |
| <b>Lifetime Frame Warranty</b> | Yes                          | <b>Returnable</b>                  | Yes           |
| <b>Brand</b>                   | Flash Furniture              | <b>Manufacturer Part Number</b>    | FD-C01-S-6-GG |



4



Hover to zoom

### HERCULES Series 18.5"W Stacking Church Chair in Gray Fabric - Gold Vein Frame

★★★★☆ 4.3 (64) [Write a review](#) [Ask a question](#)

Item # XU-CH-60096-BEIJING-GY-GG

In Stock. Usually ships in 24 hours

[Shop all Flash Furniture Products](#)

~~\$111.00~~

**\$33.49**

SPECIAL OFFER

Get a Free Chair Daily! [Details](#)

Quantity



**ADD TO CART**

## About Product

This beautiful church chair will keep your guests supremely comfortable whether you're hosting an all-day seminar, serving a 10 course meal or delivering your most inspirational sermon. This chair offers an advantage over pew seating with the flexibility of creating different seating configurations.

The chair's cushioned back and 4" thick seat are generously padded and covered in durable fabric upholstery. The seat has a waterfall edge that reduces pressure on your attendees' legs. A convenient book pouch on the back of the chair keeps seminar materials, bibles or hymn books readily available. Built-in ganging brackets connect your chairs and maintain nice, straight rows. Its sturdy 16 gauge steel, gold vein frame, with gracefully angled legs, has been tested to hold up to 800 pounds and plastic rocker glides protect your floor by sliding smoothly when you need to move the chair.

This Church Chair is an excellent option for hotel lobbies, banquet halls, conference facilities and worship centers.

## Product Features

- Multipurpose Church Chair for All Occasions
- Stack Quantity: 10
- Book Pouch on Back
- 16 Gauge Steel Frame, Gold Vein Powder Coated Frame Finish
- Floor Protector Plastic Rocker Glides
- 800 lb. Weight Capacity
- Gray Fabric Upholstery with CAL 117 Fire Retardant Foam
- 4" Thick Seat with 4.25" Thick Waterfall Edge. Waterfall Seat reduces pressure on your legs
- Ganging Bracket attach chairs together
- Limited Lifetime Warranty on Frame

## Product Specs

|                          |   |                             |                 |
|--------------------------|---|-----------------------------|-----------------|
| Width                    | 19"                                     | Depth                       | 24"             |
| Height                   | 33"                                     | Seat Width                  | 19"             |
| Seat Depth               | 16.25"                                  | Seat Height                 | 17.5"           |
| Seat Thickness           | 4"                                      | Back Width                  | 19"             |
| Back Height From Seat    | 18"                                     | Weight Capacity             | 800 lbs         |
| Stack Quantity           | 10 Count                                | Color                       | Goldvein, Gray  |
| Material                 | Foam, Steel, Fabric, Plastic, Polyester | Seat Material               | Fabric          |
|                          |   | Back Material               | Fabric          |
| Frame Material           | Metal                                   | Finish                      | Gold Vein Metal |
| Back Type                | Full                                    | Style                       | Contemporary    |
| Back Style               | Solid                                   | Base Style                  | 4 Leg           |
| Padding                  | Yes                                     | Suitable For Commercial Use | Yes             |
| ANSI / BIFMA             | Yes                                     | CAL 117 Certified           | Yes             |
| Assembly Required        | Yes                                     | Lifetime Frame Warranty     | Yes             |
| Returnable               | Yes                                     | Brand                       | Flash Furniture |
| Manufacturer Part Number | XU-CH-60096-BEIJING-GY-GG               |                             |                 |

5



**ADVANTAGE CHARCOAL GRAY  
FABRIC-PADDED BANQUET  
STACKABLE CHAIRS  
[627FABRIC-BCG-SB]**

MSRP \$59.75

**\$26.99**

(You save \$32.76)

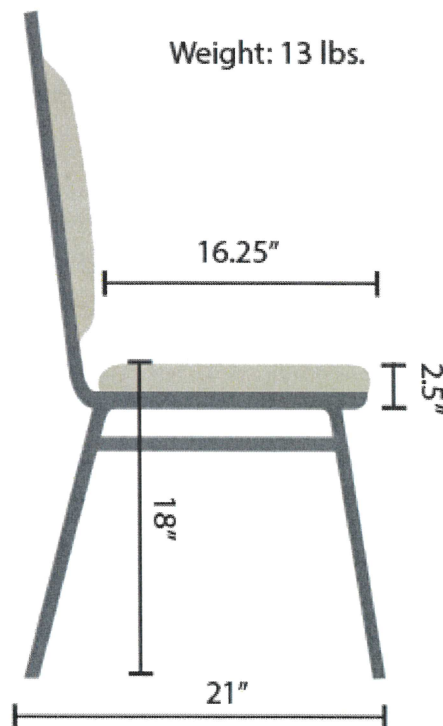
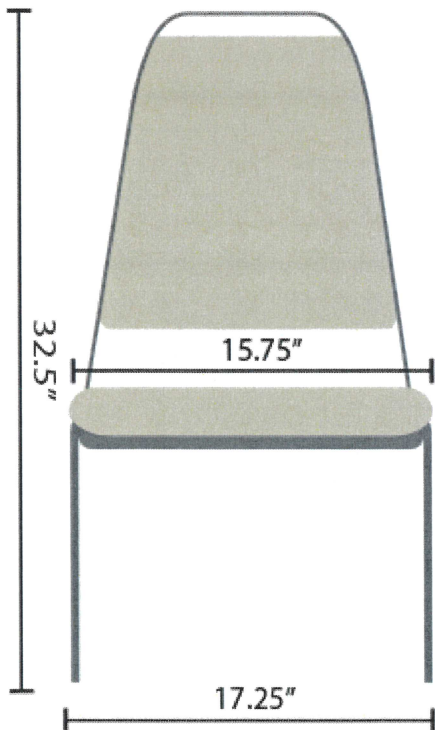
Quantity:

1



SKU: 627FABRIC-BCG-SB

**Add To Cart**



# **ADVANTAGE CHARCOAL GRAY FABRIC-PADDED BANQUET STACKABLE CHAIRS**

**Buy 50+ Padded Banquet Chairs Receive FREE SHIPPING**

This heavy-duty charcoal gray fabric-padded stackable chairs provide an excellent banquet chair option. Each banquet chair features durable, attractive charcoal gray fabric and silver vein powder coated steel frame. These banquet chairs are well constructed with a 2-1/2 in. padded seat and sturdy 18 gauge, 13/16 in. steel tube frame. Providing a attractive look for almost any seating space, each banquet chair includes a full silhouette back plus stacking bars for easy storage and rocker glides to protect floor surfaces. These banquet chairs for sale from Classroom Essentials Online provide a great value by offering a low cost solution to most banquet chair needs.

6



**ADVANTAGE CHARCOAL GRAY  
FABRIC-PADDED BANQUET  
STACKABLE CHAIRS  
[827FABRIC-BCG-SB]**

~~MSRP \$50.95~~

**\$23.99**

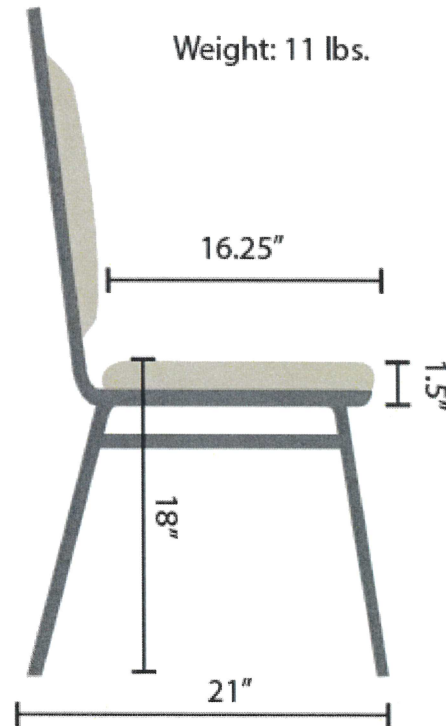
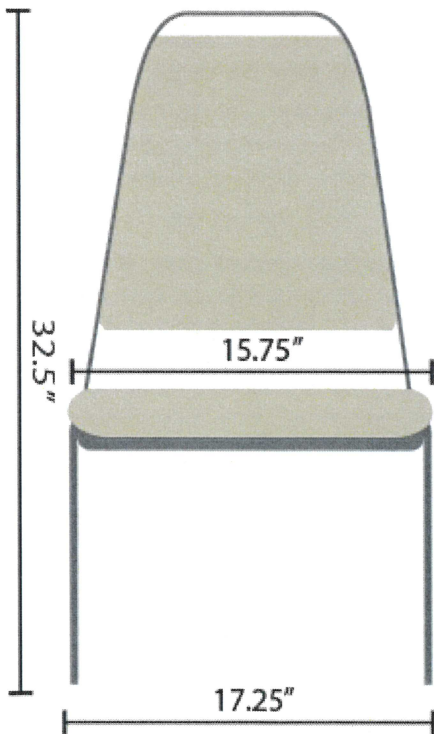
*(You save \$26.96)*

Quantity:

1

SKU: 827FABRIC-BCG-SB

**Add To Cart**



# **ADVANTAGE CHARCOAL GRAY FABRIC- PADDED BANQUET STACKABLE CHAIRS - 1-1/2-IN. PADDED SEAT**

**Buy 50+ Padded Banquet Chairs Receive FREE SHIPPING**

This heavy-duty charcoal gray fabric-padded stackable chairs provide an excellent banquet chair option. Each banquet chair features durable, attractive charcoal gray fabric and silver vein powder coated steel frame. These banquet chairs are well constructed with a 1-1/2 in. padded seat and sturdy 18 gauge, 13/16 in. steel tube frame. Providing a attractive look for almost any seating space, each banquet chair includes a full silhouette back plus stacking bars for easy storage and rocker glides to protect floor surfaces. These banquet chairs for sale from Classroom Essentials Online provide a great value by offering a low cost solution to most banquet chair needs.

BAYSHORE GARDENS PARK AND RECREATION DISTRICT  
AGENDA FORM FOR TRUSTEES

1002F

Completed form due in the office by 4:00 p.m. eight (8) days prior to meeting date.

This form can be utilized to bring a motion and/or discussion topic to the board.

Motion Defined: A motion is a request, or proposal, for the board to take action on an issue.

Agenda Item: MARINA Meeting Date: 10-7-20

Type of Meeting: \_\_\_\_\_ Workshop X Board Meeting \_\_\_\_\_

Motion: \_\_\_\_\_ Discussion: X (check one)

Rationale for Request: BOAT LIFTS.  
AND BOAT RAMP (NON RESIDENTS)

Estimated Costs to District (if applicable)

Attachments/Supporting documents: None: \_\_\_\_\_

Board Trustee: Morris Raymer Date: 9-22-20

Print Name: MORRIS RAYMER

Received by: Mia Cruz Date: 9/22/2020



Mariner Dock and Seawall  
 4802 Lena Road, Suite 105  
 Bradenton, FL 34211

Phone: (941) 751-3625  
 cs@marinerdockandseawall.com  
 www.marinerdockandseawall.com

Bill to  
**Bayshore Gardens Marina**  
 6919 26th St. W.  
 Bradenton FL 34207

Phone Number: (941) 755-1912  
 Email Address: office@bayshoregardens.org

Ship to  
**Bayshore Gardens Marina**  
 6919 26th St. W.  
 Bradenton FL 34207

**Quote Q1104**

Quote Date: 10/6/2020

Sales Rep: Jesus A.

| Item       | Description  | Quantity | Price       | Amount      |
|------------|--|----------|-------------|-------------|
| Notes      | 16,000 lb Custom Aluminum Boat lift<br>Includes:<br>-Upper frames, aluminum 4,000 motor kits,<br>-10"l-beam cradle, 4- 5/16" x 25'L 316 S.S. cables,<br>S.S. shafts, and motor covers.<br>-Bunks 10"x14' aluminum bunks<br>-GEM Remote 2 motor 1<br>Limit Switch<br>-- Limit switch and KA wire 1<br>- E-gear Drives with S.S. motor<br>(PER BOATLIFT) | 1        | \$10,522.38 | \$10,522.38 |
| Notes      | 12,000 lb Custom Aluminum Boat lift<br>Includes:<br>-Upper frames, aluminum 3,000 motor kits,<br>-8"l-beam cradle, 4- 5/16" x 25'L 316 S.S. cables,<br>S.S. shafts, and motor covers.<br>-Bunks 10"x14' aluminum bunks<br>-GEM Remote 2 motor 1<br>Limit Switch<br>-- Limit switch and KA wire 1<br>- E-gear Drives with S.S. motor<br>(PER BOATLIFT)  | 1        | \$9,495.18  | \$9,495.18  |
| Electrical | Electrical - Our preferred electrician will Run power from the nearest Sub Panel/Pedestal and charge \$14.00 per foot to run 240V to the boat lift and install a GFCI breaker on the panel.<br>(ADD ONS)<br>GFCI OUTLET 120V-\$275.00<br>A/C DISCONNECT/WITH GFCI BREAKER-\$215.00<br>(PER BOATLIFT)   | 1        | \$0.00      | \$0.00      |





Mariner Dock and Seawall  
 4802 Lena Road, Suite 105  
 Bradenton, FL 34211

Phone: (941) 751-3625  
 cs@marinerdockandseawall.com  
 www.marinerdockandseawall.com

| Item  | Description  | Quantity | Price      | Amount     |
|-------|--|----------|------------|------------|
| Notes | Boat Lift Installation Labor<br><br>(PER BOATLIFT)   | 1        | \$1,580.00 | \$1,580.00 |
| Notes | E/C Motor to Motor Hook up to Control Box(Gem)once adequate power is ran from power source (Pedestal,Sub Panel).<br>-All Limit switches will programmed to Top and lower limit.<br>- Each GEM comes with Hand held Transmitter.<br>(PER BOATLIFT)  | 1        | \$0.00     | \$0.00     |
| Notes | PAYMENT TERMS:<br>A 50% DEPOSIT REQUIRED ON ALL JOBS OVER \$1,000.<br><br>BALANCES DUE AT TIME OF COMPLETION.<br><br>PERSONAL CHECKS - ONLY ACCEPTED AT TIME OF SERVICE<br>ALL MAJOR CREDIT CARDS ACCEPTED - ADDITIONAL 3% CHARGED TO INVOICE<br><br>BUSINESS CHECKS ACCEPTED (INVOICE) - TERMS = PAYMENT DUE 30 DAYS FROM TIME OF JOB COMPLETION.<br><br>PERMITTED PROJECTS – (IF APPLICABLE)<br>CUSTOMER WILL BE RESPONSIBLE FOR ALL PERMITTING FEE'S ASSOCIATED WITH JOB.<br>Permitted job payments to be made payable to : Castle Construction | 1        | \$0.00     | \$0.00     |

Subtotal: \$21,597.56

Tax: \$0.00

Total: \$21,597.56

Payments: \$0.00

BAYSHORE GARDENS PARK AND RECREATION DISTRICT  
AGENDA FORM FOR TRUSTEES

1002F

Completed form due in the office by 4:00 p.m. eight (8) days prior to meeting date.

This form can be utilized to bring a motion and/or discussion topic to the board.

Motion Defined: A motion is a request, or proposal, for the board to take action on an issue.

Agenda Item: County Hall use Meeting Date: Oct 7, 20

Type of Meeting: workshop Workshop  Board Meeting

Motion:  Discussion:  (check one)

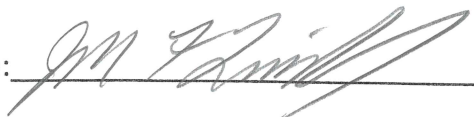
Rationale for Request: Florida Department of Transportation  
was asking to use the Hall on one  
of the following dates: Thur - 11/5  
Tue. - 11/10  
hrs of use 1:00pm - 8:00pm Thur - 11/12  
Tue - 11/17  
Thur - 11/19

Estimated Costs to District (if applicable)

\_\_\_\_\_  
\_\_\_\_\_

Attachments/Supporting documents: None: \_\_\_\_\_

\_\_\_\_\_  
\_\_\_\_\_

Board Trustee:  Date: 9-29-20

Print Name: John Lindsey

Received by:  Date: 9/29/2020

BAYSHORE GARDENS PARK AND RECREATION DISTRICT  
AGENDA FORM FOR TRUSTEES

1002F

Completed form due in the office by 4:00 p.m. eight (8) days prior to meeting date.

This form can be utilized to bring a motion and/or discussion topic to the board.

Motion Defined: A motion is a request, or proposal, for the board to take action on an issue.

Agenda Item: Small Boat Area Meeting Date: 10/7/2020

Type of Meeting: \_\_\_\_\_ Workshop  Board Meeting \_\_\_\_\_

Motion: \_\_\_\_\_ Discussion:  (check one)

Rationale for Request: Security ISSUES

Estimated Costs to District (if applicable)

Attachments/Supporting documents: None: \_\_\_\_\_

Board Trustee: [Signature] Date: 9-29-20

Print Name: John Lindsey

Received by: [Signature] Date: 9/29/2020

BAYSHORE GARDENS PARK AND RECREATION DISTRICT  
AGENDA FORM FOR TRUSTEES

1002F

Completed form due in the office by 4:00 p.m. eight (8) days prior to meeting date.

This form can be utilized to bring a motion and/or discussion topic to the board.

Motion Defined: A motion is a request, or proposal, for the board to take action on an issue.

Agenda Item: Screen porch locking Meeting Date: Oct 7

Type of Meeting: \_\_\_\_\_ Workshop  Board Meeting \_\_\_\_\_

Motion: \_\_\_\_\_ Discussion:  (check one)

Rationale for Request: Landm 45 asking about  
locking screen porch open.  
Problem with urban encroachment

Estimated Costs to District (if applicable)

Attachments/Supporting documents: None: \_\_\_\_\_

Board Trustee: John F. Lindsey Date: 9-29-20

Print Name: John Lindsey

Received by: [Signature] Date: 9/29/2020

BAYSHORE GARDENS PARK AND RECREATION DISTRICT  
AGENDA FORM FOR TRUSTEES

1002F

Completed form due in the office by 4:00 p.m. eight (8) days prior to meeting date.

This form can be utilized to bring a motion and/or discussion topic to the board.

Motion Defined: A motion is a request, or proposal, for the board to take action on an issue.

Agenda Item: Update on Sprinkle Park Meeting Date: Oct 7, 2020

Type of Meeting: \_\_\_\_\_ Workshop  Board Meeting \_\_\_\_\_

Motion: \_\_\_\_\_ Discussion:  (check one)

Rationale for Request: Would like to move ahead  
with Sprinkle Park pending BOT  
approval and OK from DOH engineer.

Update on concerns raised at last  
workshop.

Estimated Costs to District (if applicable)

Donation - minimal costs for water  
May need to purchase air pump

Attachments/Supporting documents: None:

Will show powerpoint

Board Trustee: Barbara Greenberg Date: Sept 29, 2020

Print Name: Seat 09

Received by: [Signature] Date: 9/29/2020

BAYSHORE GARDENS PARK AND RECREATION DISTRICT  
AGENDA FORM FOR TRUSTEES

1002F

Completed form due in the office by 4:00 p.m. eight (8) days prior to meeting date.

This form can be utilized to bring a motion and/or discussion topic to the board.

Motion Defined: A motion is a request, or proposal, for the board to take action on an issue.

Agenda Item: Committee Assignments & Planning Meeting Date: 10-7

Type of Meeting: \_\_\_\_\_ Workshop  Board Meeting \_\_\_\_\_

Motion: \_\_\_\_\_ Discussion:  (check one)

Rationale for Request: Ask about Assignments and  
talk about Planning Committee

Estimated Costs to District (if applicable)

Attachments/Supporting documents: None: \_\_\_\_\_

Board Trustee: [Signature] Date: 9-29-20

Print Name: John Lindsey

Received by: [Signature] Date: 9/29/2020